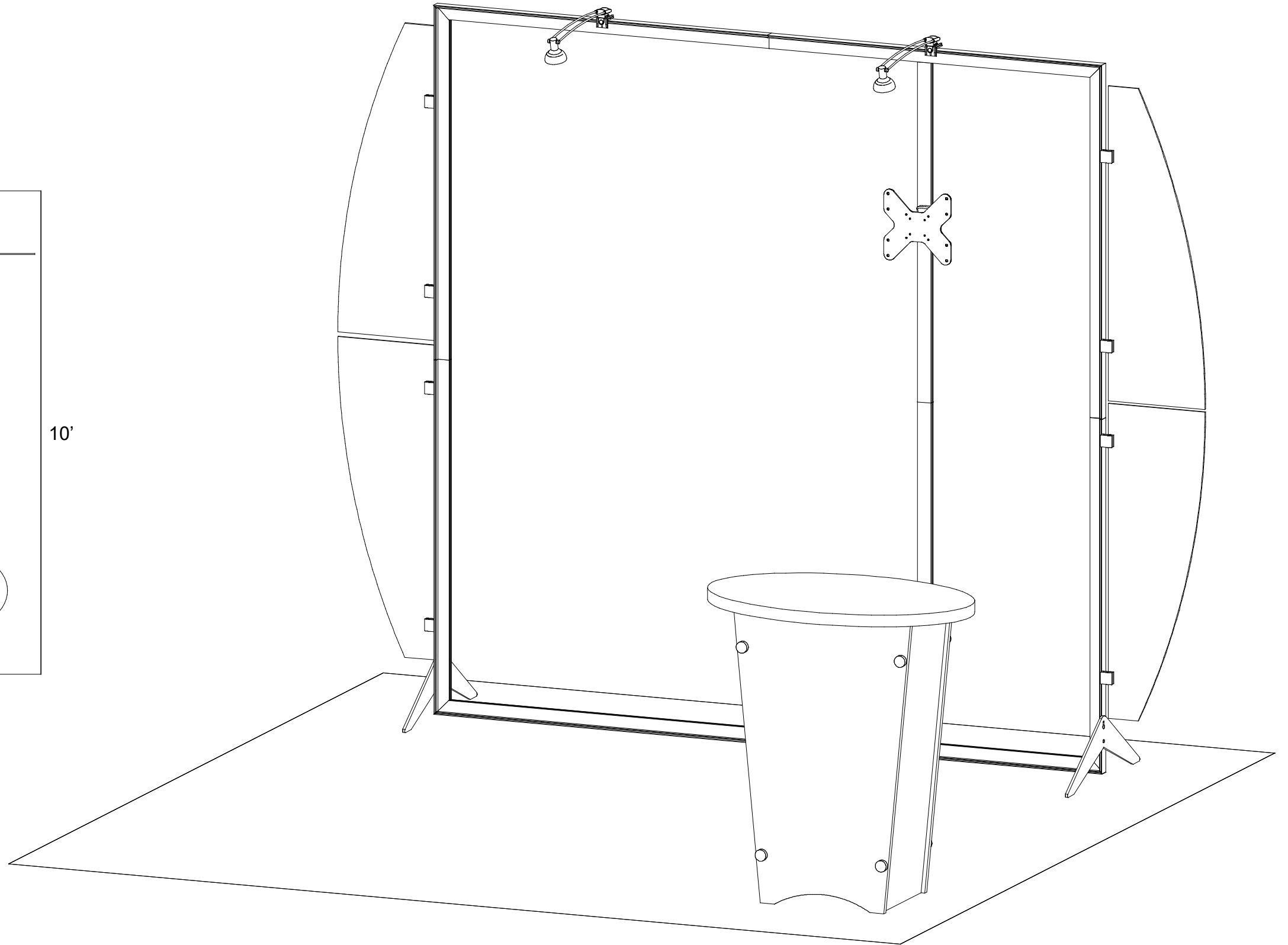


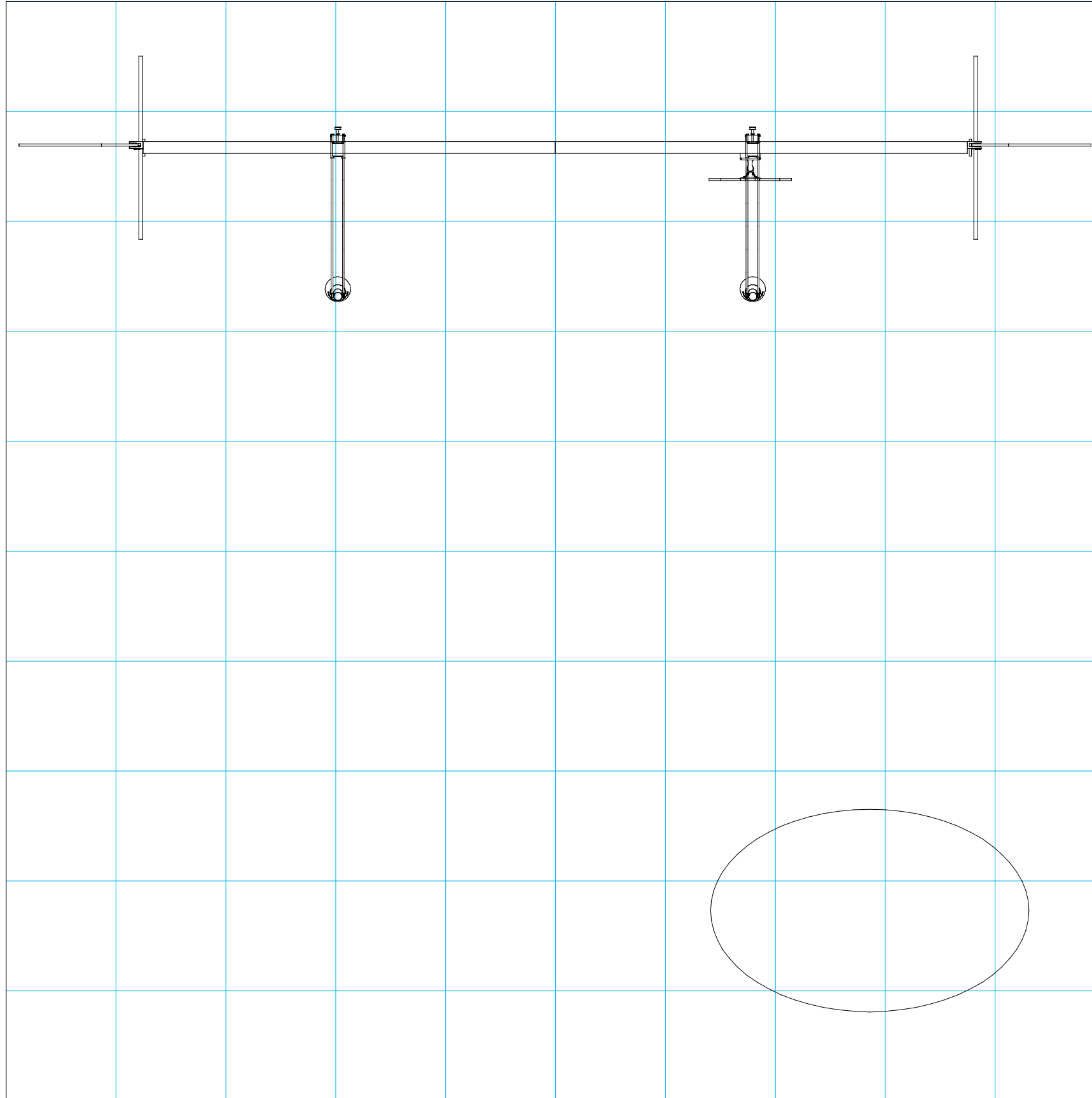
Plan View

10'

10'



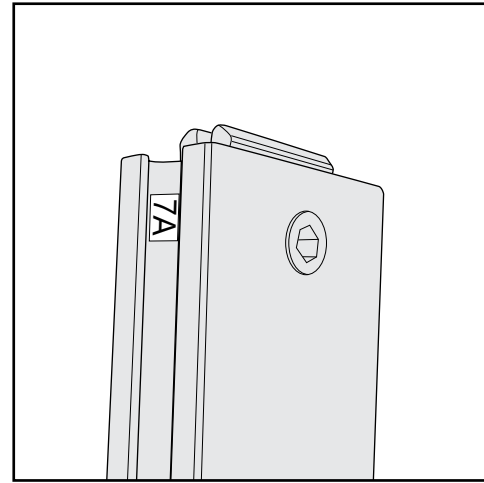
SETUP INSTRUCTIONS



= 1 sq foot

General Setup Instructions

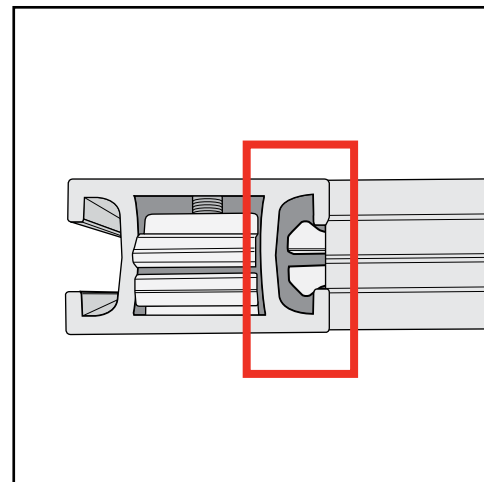
- Read entire setup instruction manual prior to unpacking parts and pieces.
- The setup instructions are created specifically for this configuration.
- Setup instructions are laid out sequentially in steps, including exploded views with detailed explanation for assembly.



Part Identification - Numbering

Cleaning & Packing

- For Cleaning Metal, Plex, & Laminate Parts: Use a **MILD NON-ABRASIVE** cleanser and soft cloth/paper towel to clean all surfaces.
- Keep exhibit components away from heat and prolonged sun exposure.
Heat and UV exposure will warp and fade components.
- Retain all provided Packing Materials. All provided packing materials are for ease of repacking & component protection.



Engaged Lock



WARNING



DO NOT USE POWER TOOLS



ALL CONNECTIONS MUST BE TIGHTLY SECURED

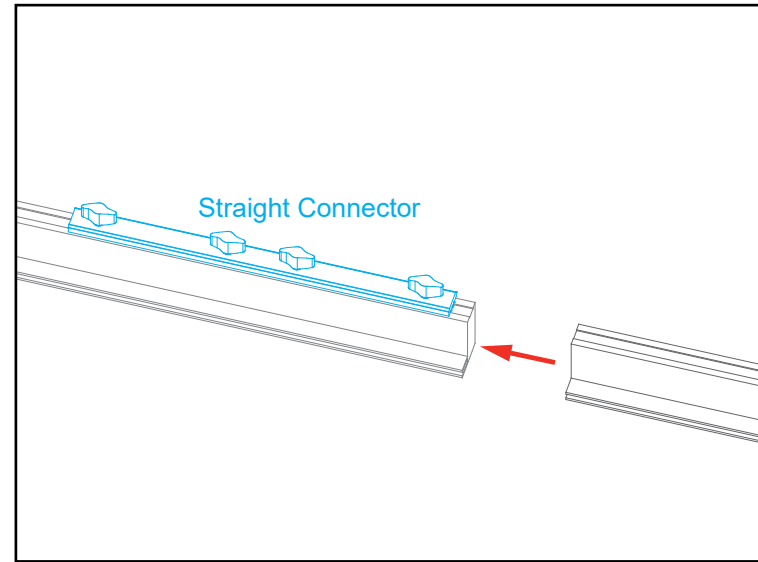
Disassembly

- For loss prevention, keep all knobs & connectors attached to extrusions during disassembly.

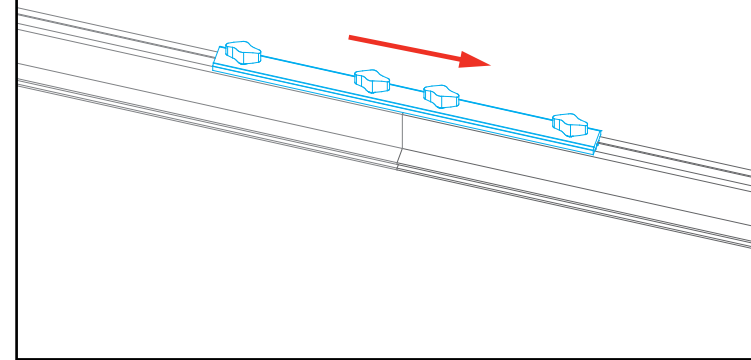
Straight Connection

When assembling frame, first attach all **straight connectors**, then attach **corner connectors**.

- 1) Place extrusions end-to-end.
- 2) Loosen all knobs, then slide **straight connector** across the seam of extrusions.
- 3) Tighten all knobs to secure connection.



Slide connector across seam of extrusions.
Tighten all knobs.



All knobs must be tightened securely to ensure a proper connection.

Disassembly

- 1) Loosen all knobs.
- 2) Slide connectors off of one extrusion.
- 3) Tighten knobs to prevent loss during packing & shipping.

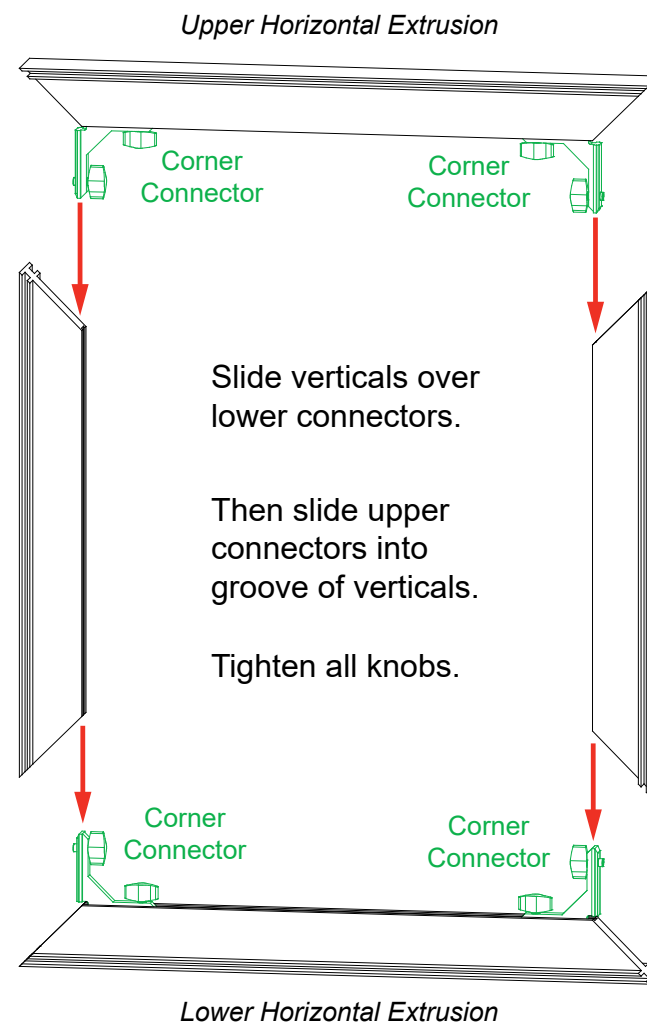
Keep straight connectors in groove of extrusion. Do not remove connectors during disassembly.

Corner Connection

- 1) Loosen knobs, then slide vertical extrusions onto **corner connectors** of **lower** horizontal extrusion.
- 2) Slide **corner connectors** of **upper** horizontal extrusion into grooves of vertical extrusions.
- 3) Tighten all knobs to secure connection.

Disassembly

- 1) Loosen knobs on vertical extrusions.
- 2) Slide the vertical extrusions off of **corner connectors** on lower and upper horizontal extrusions.



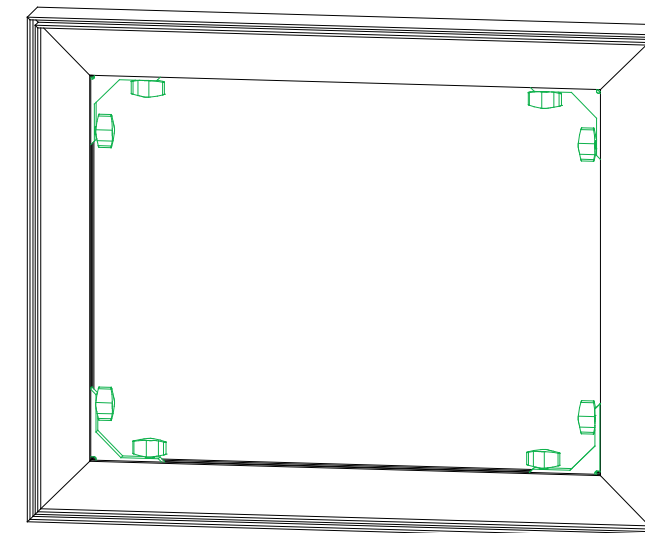
Slide verticals over lower connectors.

Then slide upper connectors into groove of verticals.

Tighten all knobs.

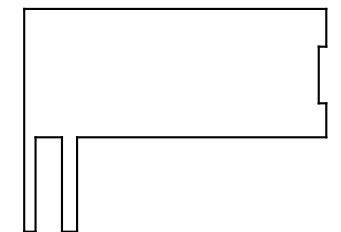


Adjust connectors if necessary to prevent gaps in connection.

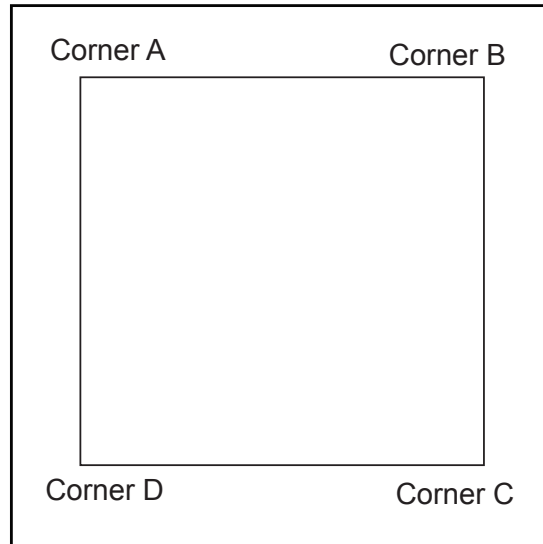


COMPLETED ASSEMBLY

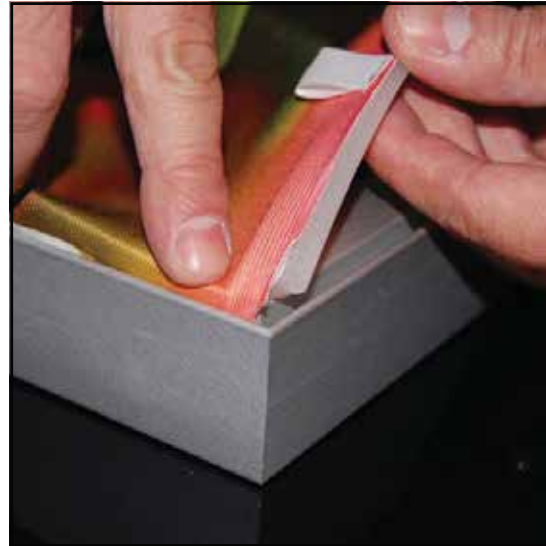
All knobs must be tightened securely to ensure a proper connection.



TSP46 Profile



It is important to first insert graphic into each alternate corner then to the sides of the frame. If this is not done, graphic will not fit into the frame correctly.



Step 1
Insert corner A. Turn edge of graphic so silicon welt is perpendicular to face of graphic. Insert narrow side of welt with fabric to outside into the channel. Repeat for other side of this corner.

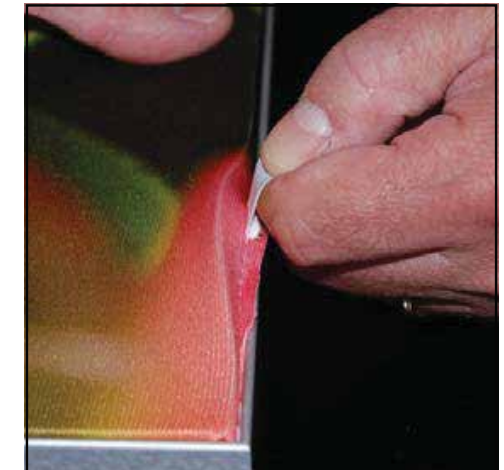


Step 2
Repeat Step 1 for opposite corner C, then insert corner B, followed by corner D, to complete the installation of the corners.



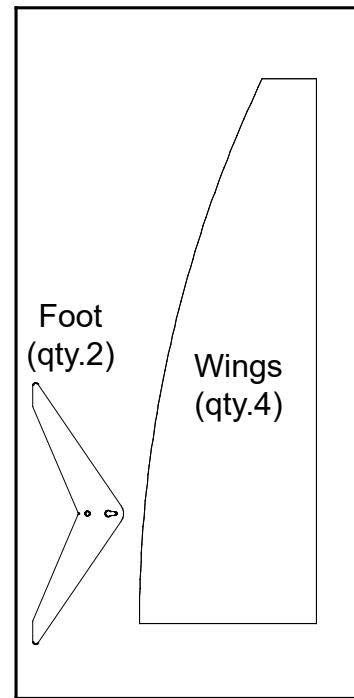
Step 3
Once all corners are inserted, press one silicon edge into channel from corners and work toward the center. Make sure welt is fully inserted into channel. Continue until all sides are done. Smooth out edges of graphic.

Graphic Removal

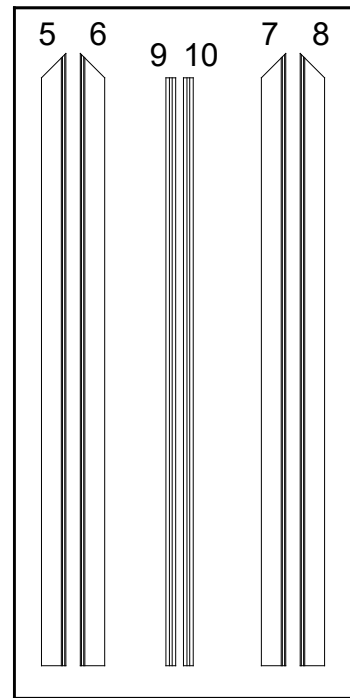


To remove the graphic from the frame, locate the fabric pull tab. Gently pull up on the tab to remove the fabric.

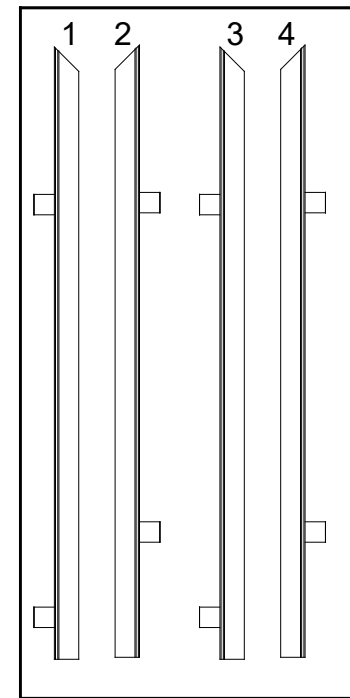
Top View of Each Level



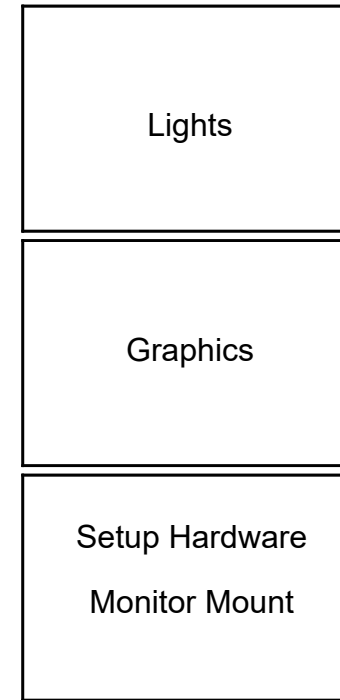
Level 1
(Bottom level)



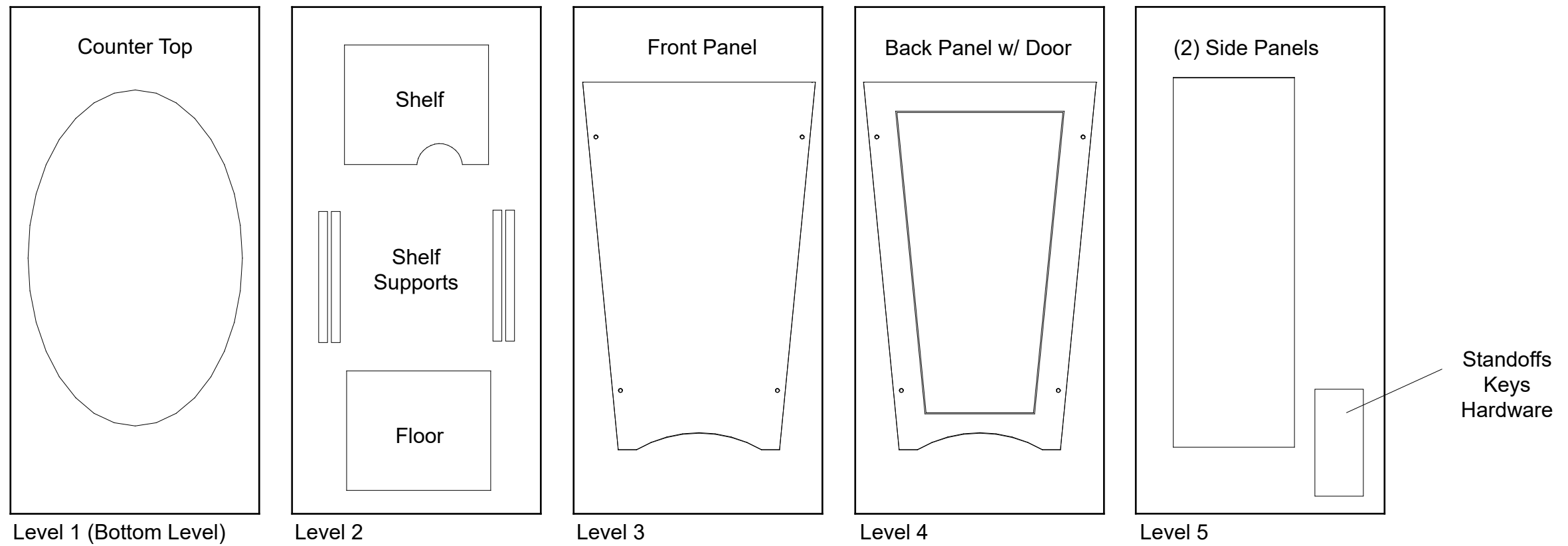
Level 2



Level 3



Top View of Each Level

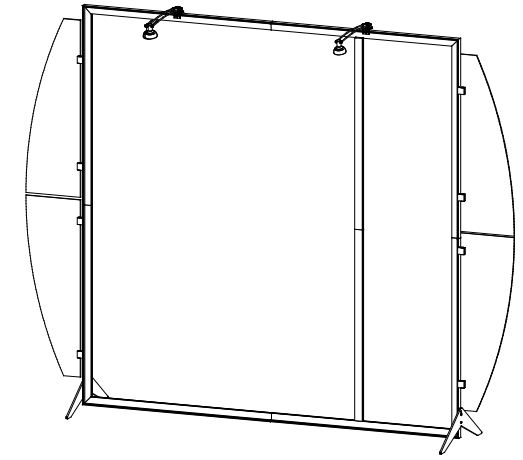


Item	Qty.	Description
1	1	45" h TSP46 Vertical Extrusion w/ A10 clamps
2	1	45" h TSP46 Vertical Extrusion w/ A10 clamps
3	1	45" h TSP46 Vertical Extrusion w/ A10 clamps
4	1	45" h TSP46 Vertical Extrusion w/ A10 clamps
5	1	45" w TSP46 Horizontal Extrusion
6	1	45" w TSP46 Horizontal Extrusion
7	1	45" w TSP46 Horizontal Extrusion
8	1	45" w TSP46 Horizontal Extrusion
9	1	43.209" h Z45 Vertical Extrusion
10	1	43.209" h Z45 Vertical Extrusion
--	2	Boomerang Foot

Steps:

Refer to the [Tool-less Frame Assembly general information page](#).

- 1) Assemble extrusion [1-2], [3-4], [5-6], [7-8], [9-10] together using straight connectors.
- 2) Connect vertical assemblies [1/2], [3/4] between horizontal assemblies [5/6], [7/8] using corner connectors.
- 3) Install Boomerang Feet to sides of assembly. See [Boomerang Foot Attachment detail](#).
- 4) Lift up frame; attach verticals [9/10] between horizontals using [Connection Lock w/ Knob](#).
- 5) Apply SEG graphic to front of frame. See [the SEG Installation general information page](#).
- 6) Connect Wings to A10 clamps on vertical extrusions. See [A10 Clamp Attachment detail](#).
- 7) Attach lights to top of frame. See [Light Attachment detail](#).

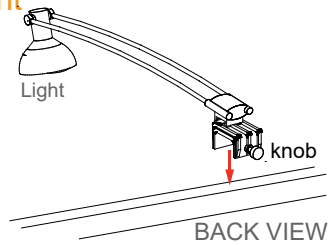


When assembled

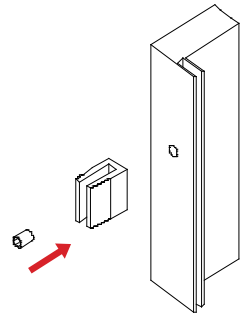
* Light Attachment

Attach clamp of stem light to top of horizontal extrusion where desired.

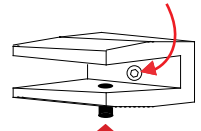
Twist knob on back to tighten in place.



A10 Clamp Attachment

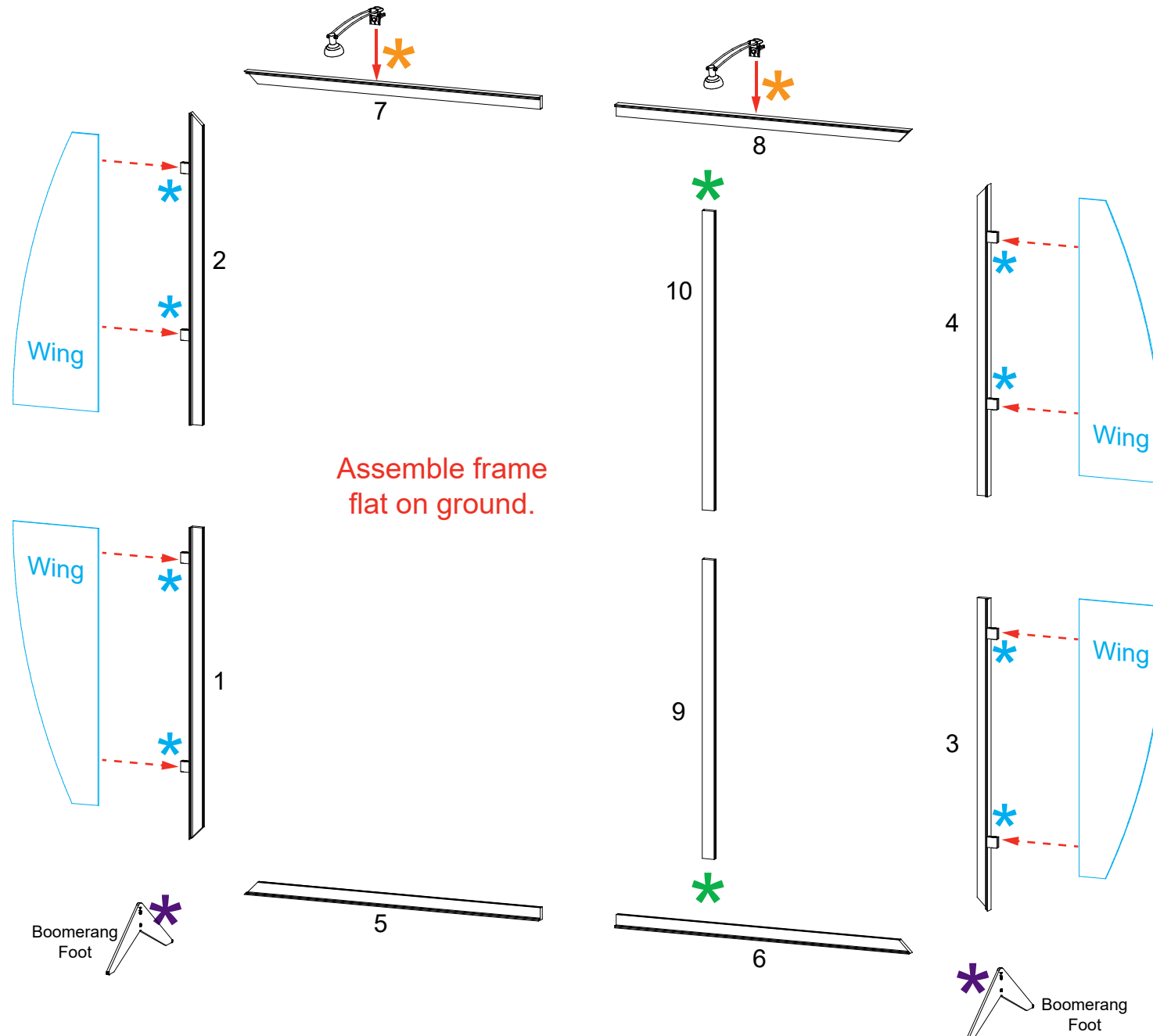


Screw A10 clamp to Vertical Extrusion.



Tighten knob to secure Wing in place.

Clamps should NOT be removed. Leave attached when exhibit is packed.



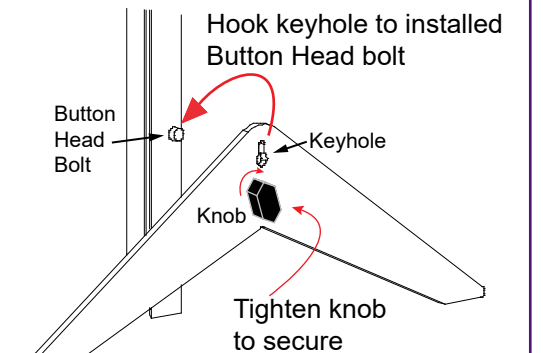
FRONT VIEW

* Connection Lock w/ Knob

Knobs face **back** of assembly.



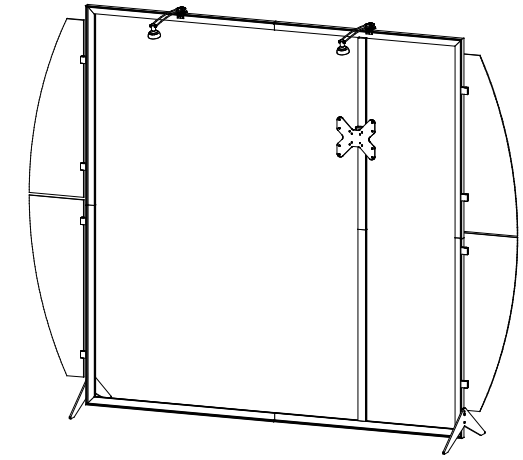
* Boomerang Foot Attachment



Monitor Mount Attachment

Steps:

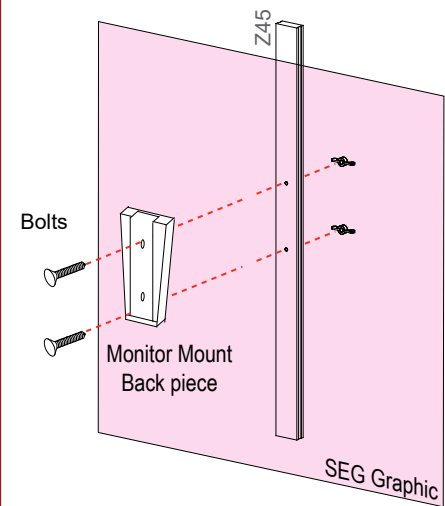
- 1) Connect Monitor Mount to vertical assembly [9/10].
See **Monitor Mount Attachment** detail.



Completed Assembly

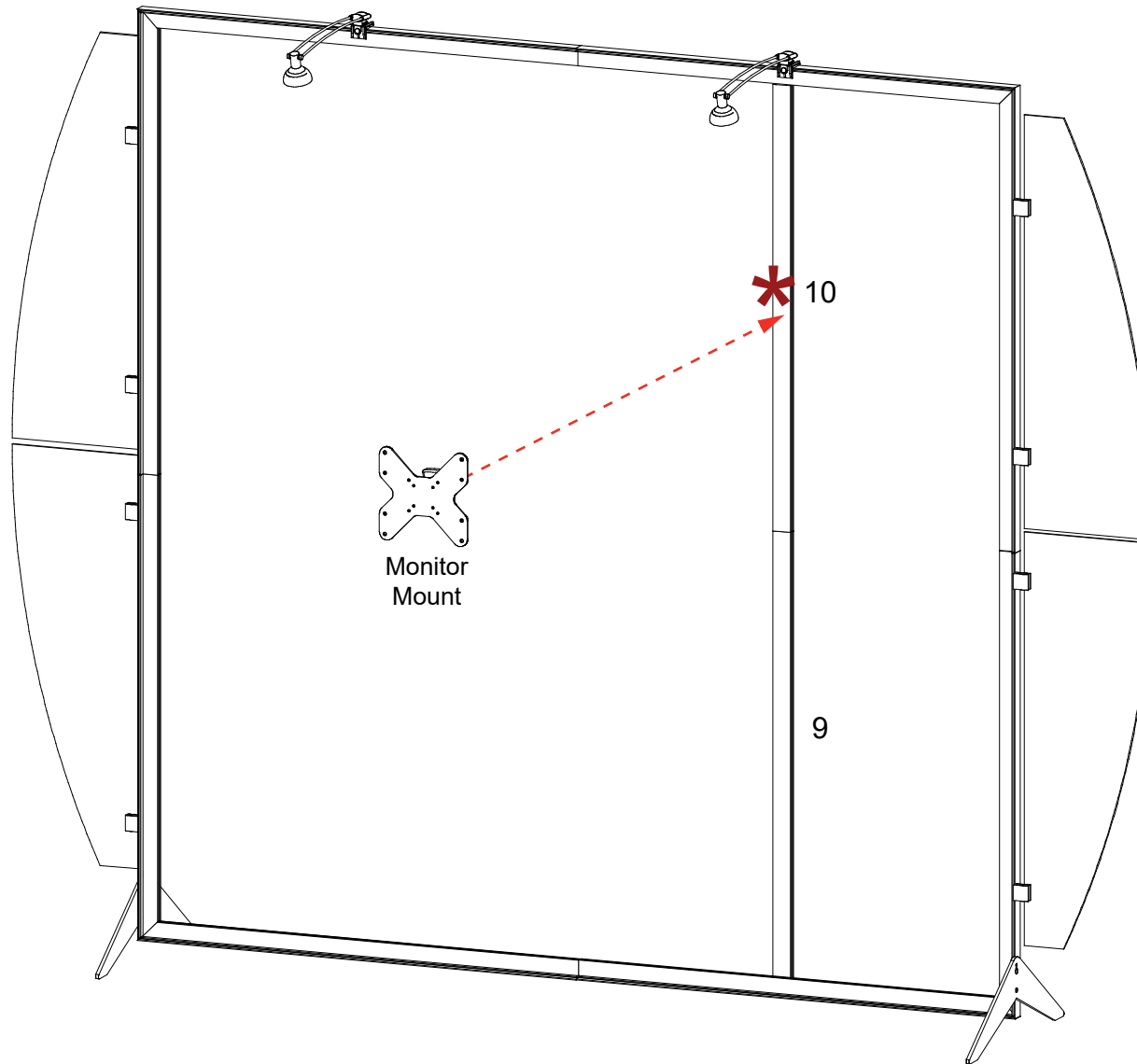
*** Monitor Mount Attachment**

Attach Monitor Mount back piece to vertical extrusion using bolts. Then slide monitor mount into back piece as shown.



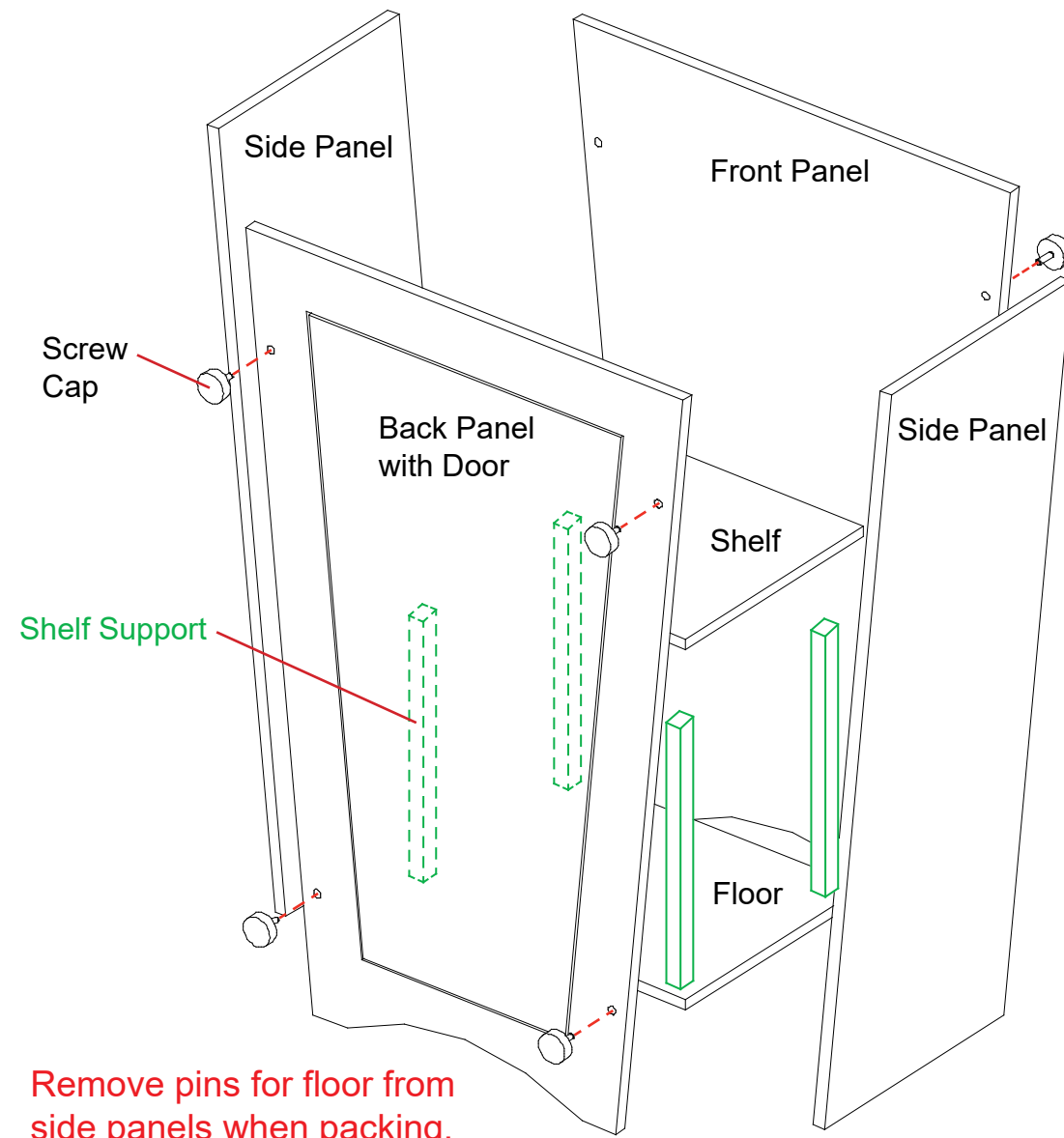
Slide monitor mount into back piece.

Note: Monitor mounts install through SEG graphic.

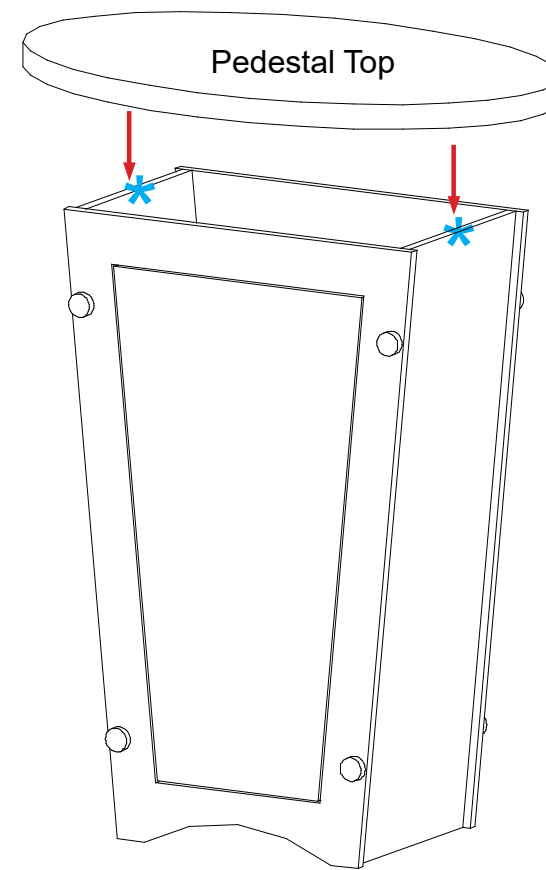


Setup Instructions:

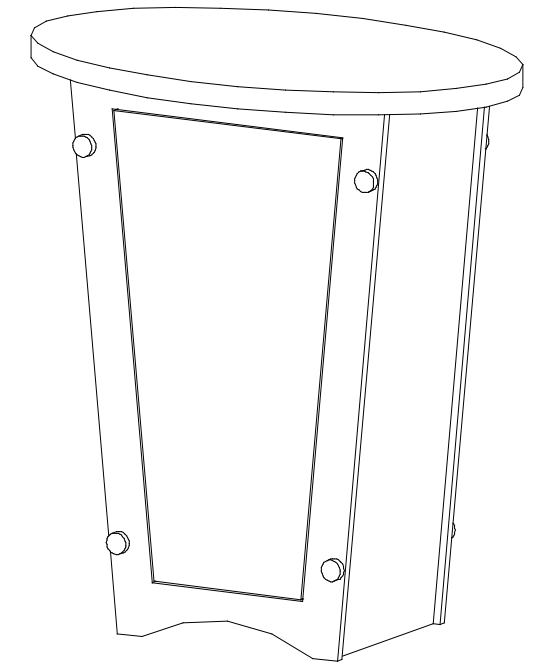
- 1) Attach pins at bottom interior of side panels. *Note: Pins are designed to be slightly angled.*
- 2) Use screw caps to secure the side panels to front panel and back panels, making sure Velcro is facing inward.
- 3) Slide floor into the bottom of assembled pedestal base. The floor will sit on pins of the side panels.
- 4) Connect shelf supports to Velcro on panels, then place shelf on top of supports.
- 5) Attach pedestal top to assembled pedestal base. See [Pedestal Top Attachment](#) detail.



Pedestal Base Assembly



Pedestal Top Attachment



Completed Pedestal Assembly

